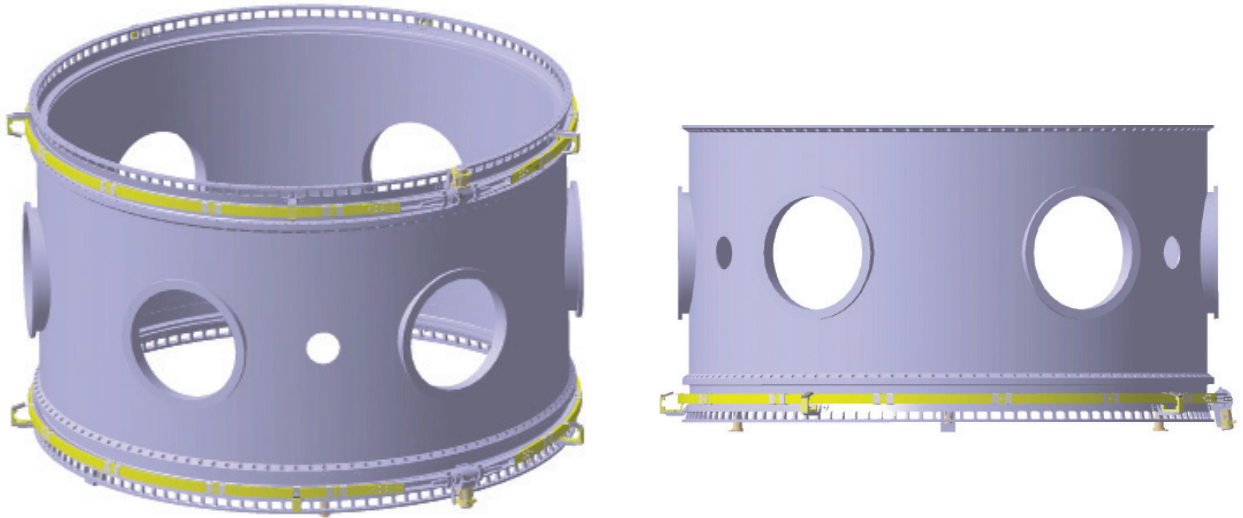


# ESPA Separation System

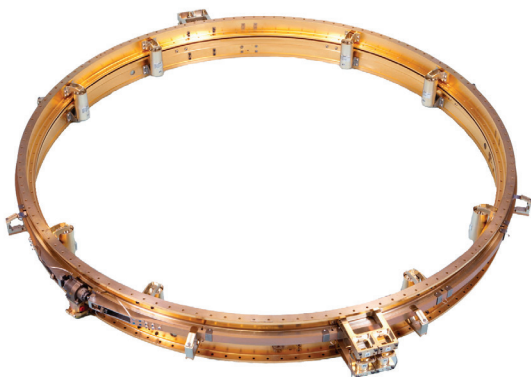
A 1575 mm Separation System for ESPA Missions.



The RUAG PSR 1575 mm (62") separation system is fully compatible with the Evolved Expendable Launch Vehicle (EELV) Secondary Payload Adapter (ESPA). The PSR 1575 Separation System includes a low shock clamp band separation system, payload separation rings, umbilical connectors and a separation spring set. Utilizing our CBODTM Low Shock Release Mechanism every RUAG separation system provides the unique combination of high load capability and a low shock release. Each customer may require specific mission adaptation, but our successful heritage has resulted from working closely with customers and contractors during the spacecraft design phase to establish a fully compatible design.

## Building on 30 years of Flight Heritage

Developed over 30 years of 100% flight success, the RUAG Space family of Payload Adapters and Separation Systems span a range of diameters from 14 to 103 inch (360 mm to 2624 mm) To date (February 2019) we have provided our customers with 660 in-orbit separations, carried out with a success rate of 100%! Our customer base includes the major launch service providers and satellite contractors supporting end-users that include most US and international commercial operators, and government and national space agencies.



Together  
ahead. **RUAG**